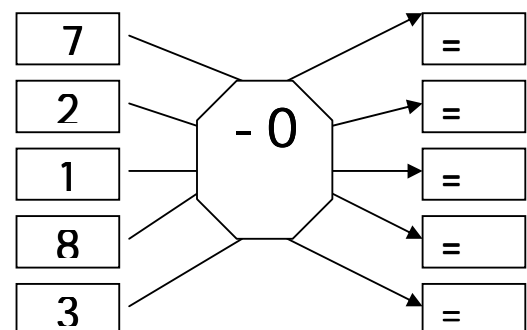
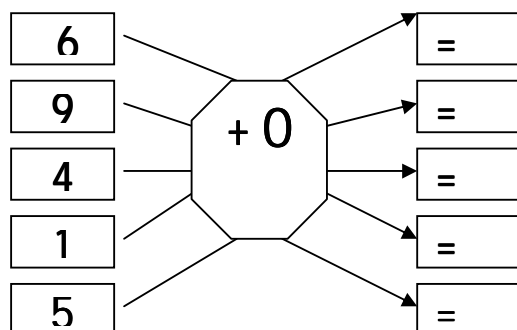
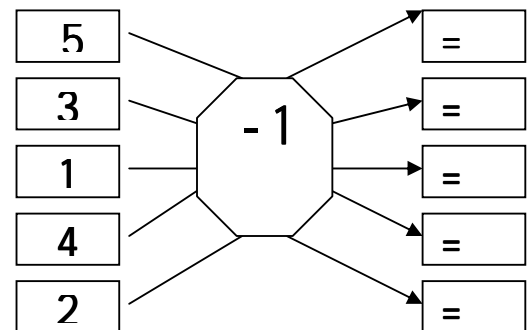
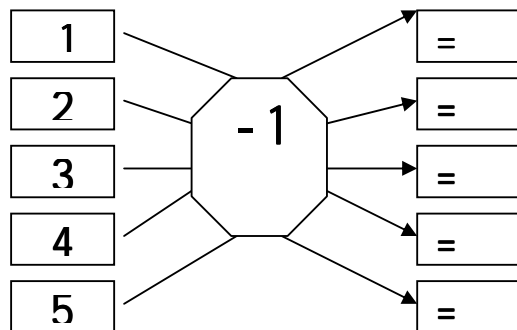
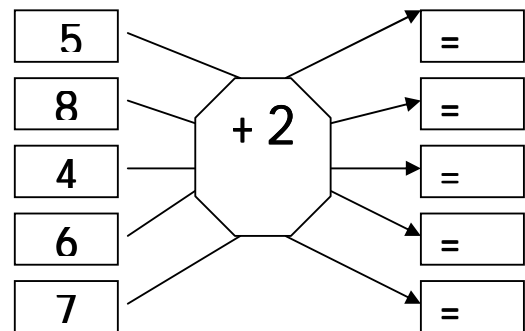
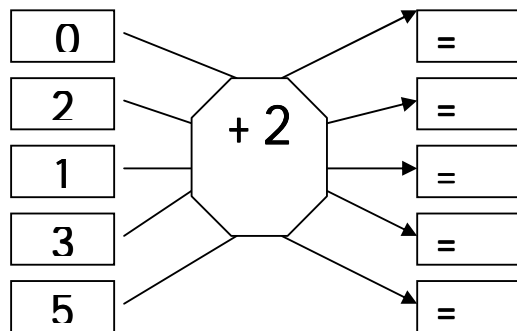
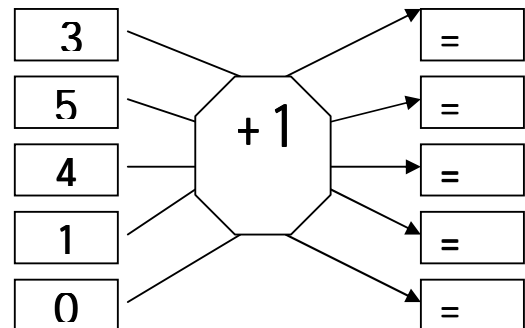
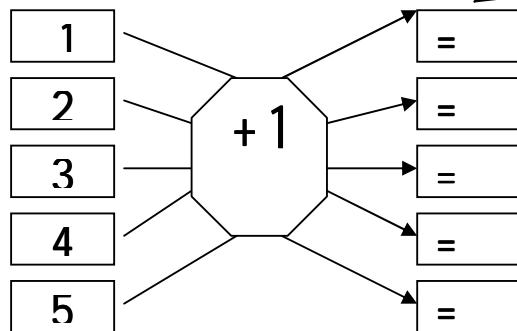


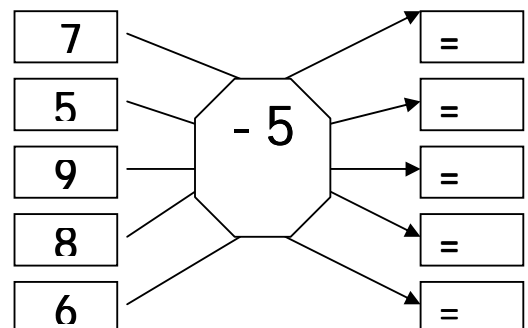
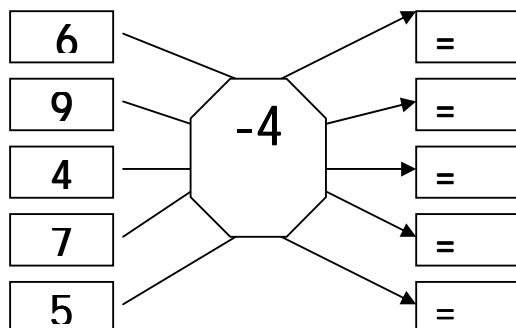
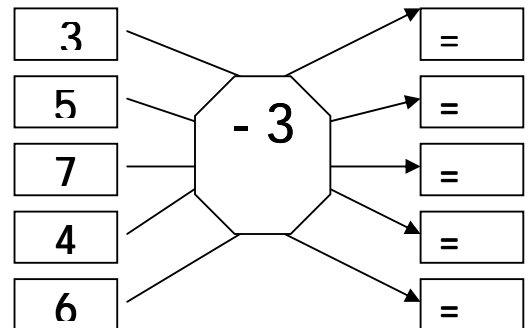
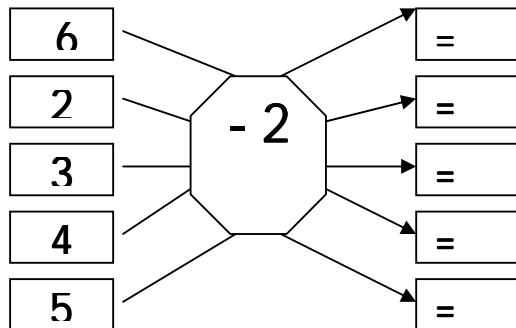
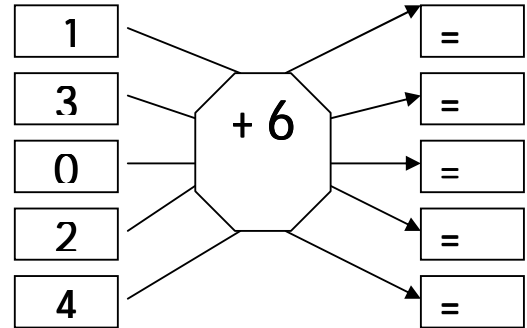
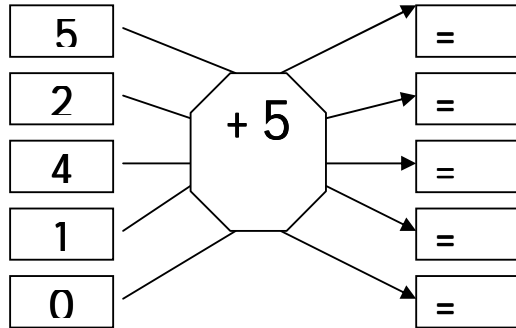
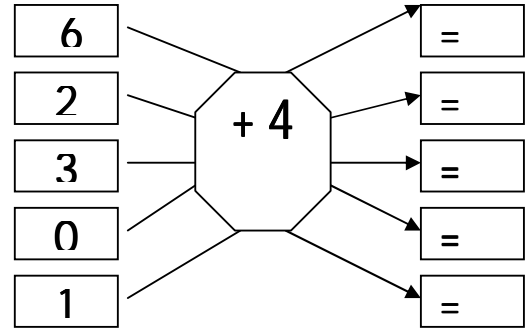
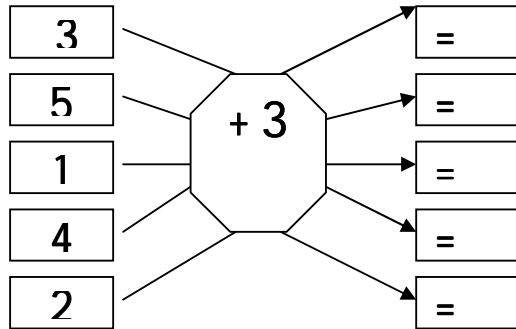
Math Butterflies

Use the numbers on the left with the number in the square and write your answer on the right



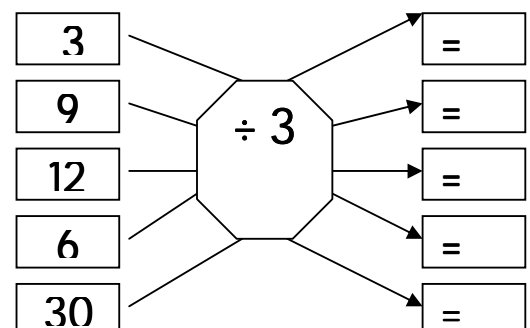
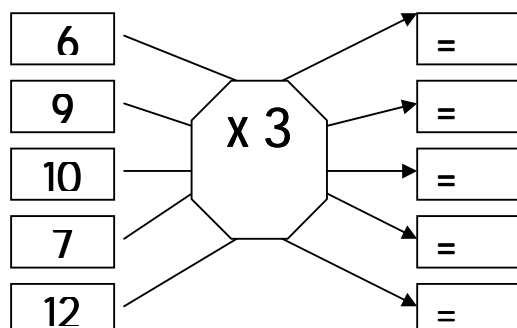
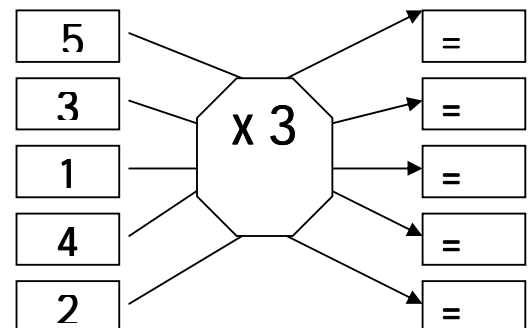
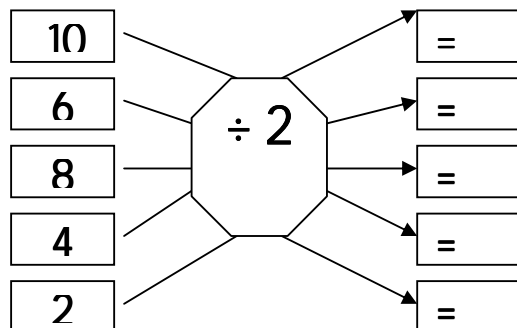
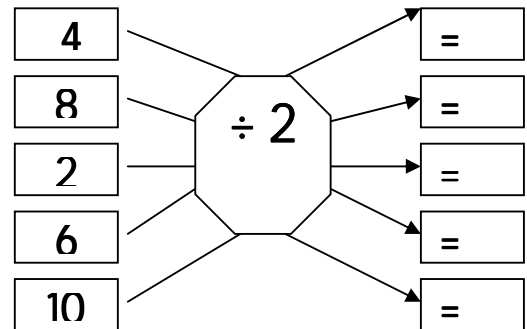
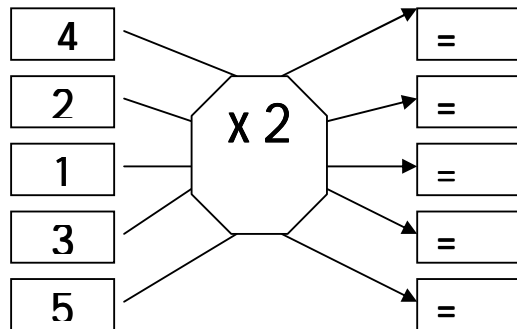
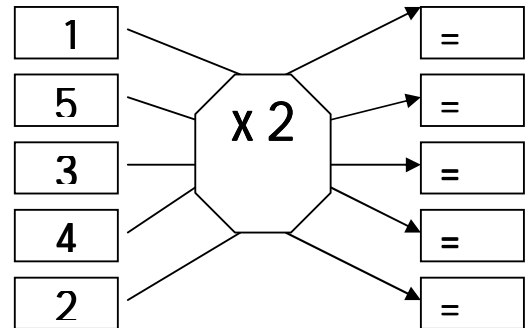
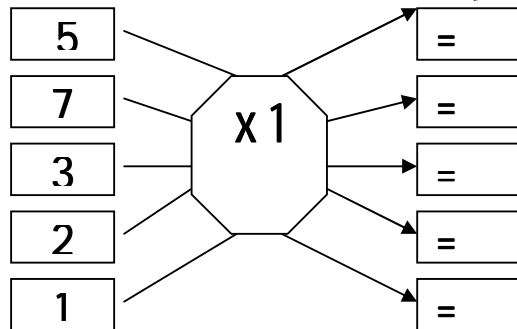
Math Butterflies

Use the numbers on the left with the number in the square and write your answer on the right



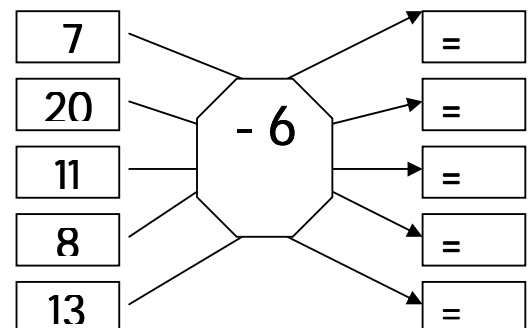
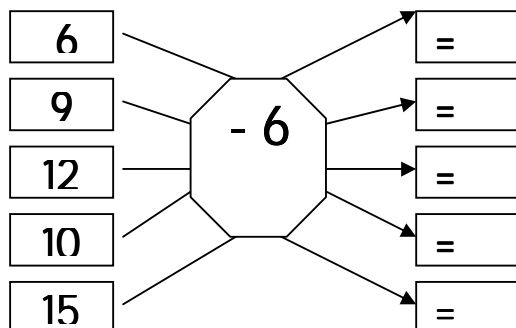
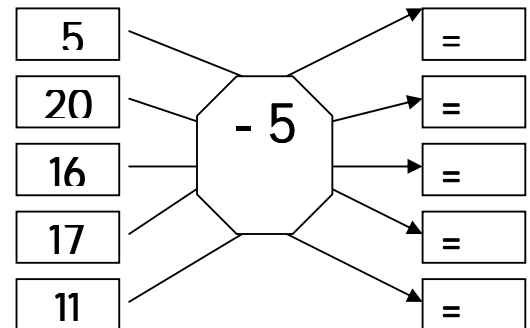
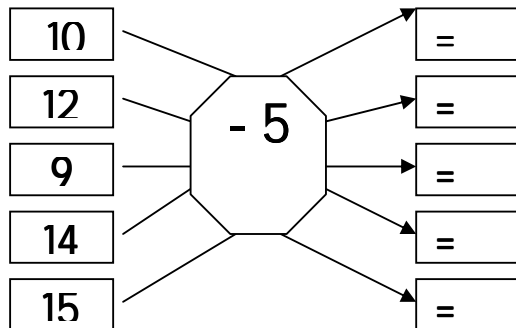
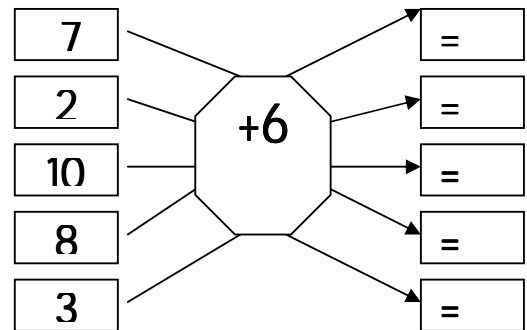
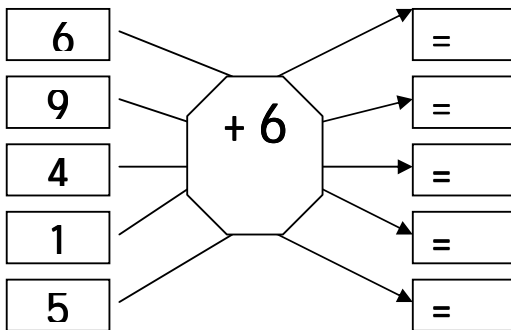
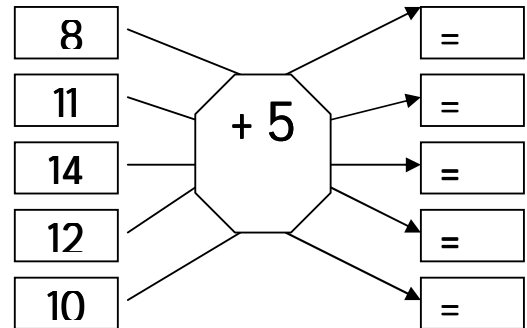
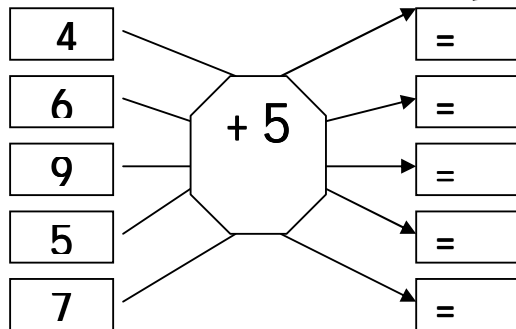
Math Butterflies

Use the numbers on the left with the number in the square and write your answer on the right



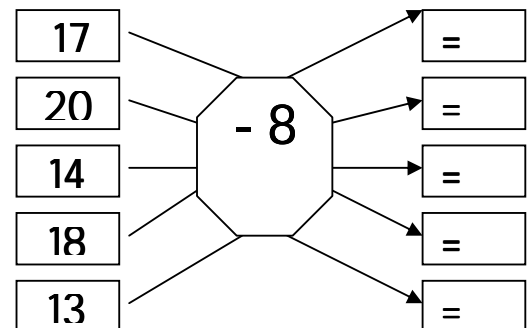
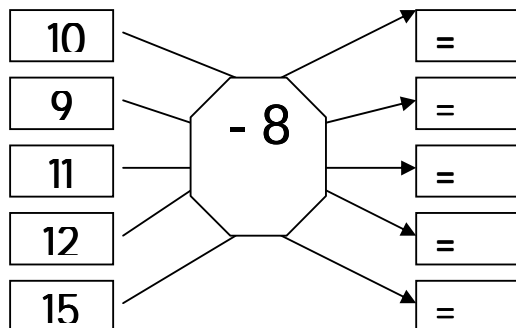
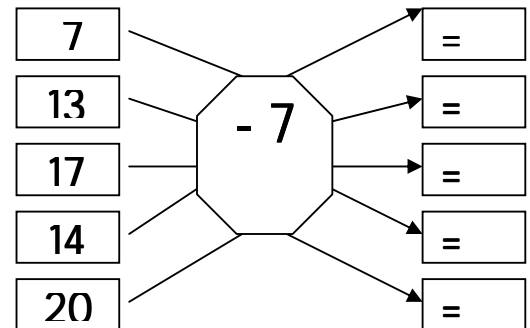
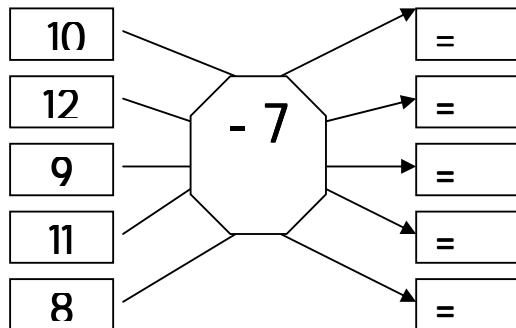
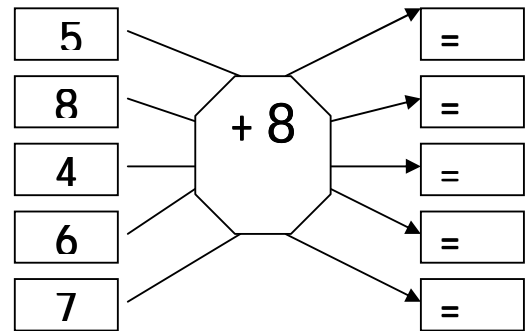
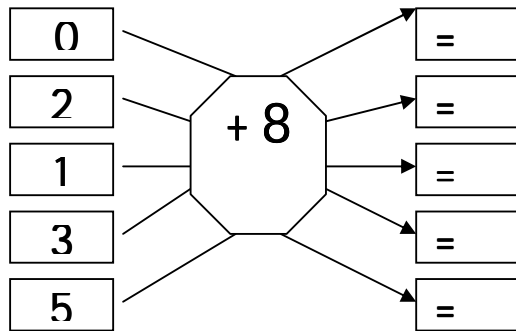
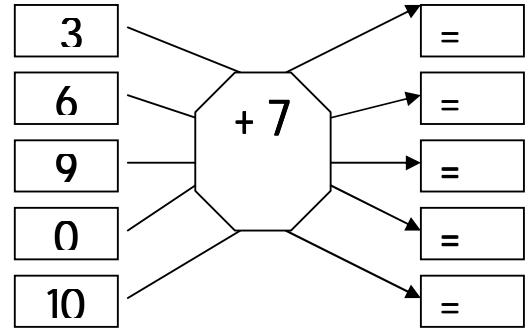
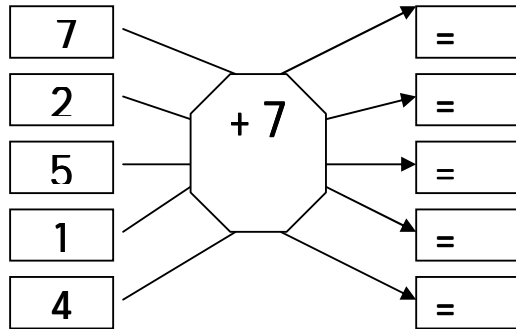
Math Butterflies

Use the numbers on the left with the number in the square and write your answer on the right



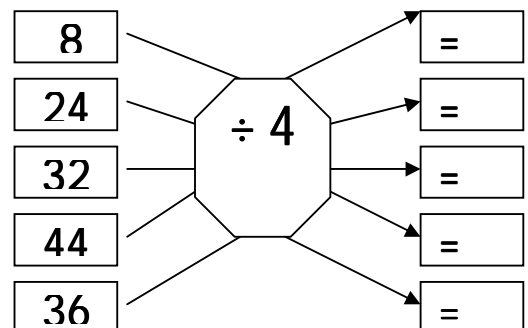
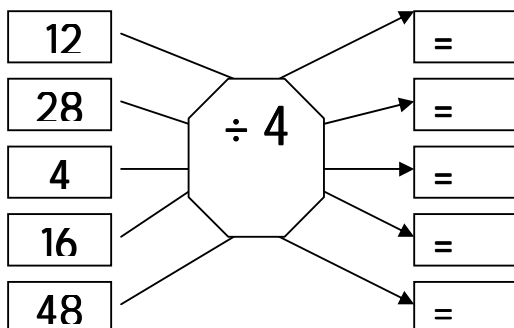
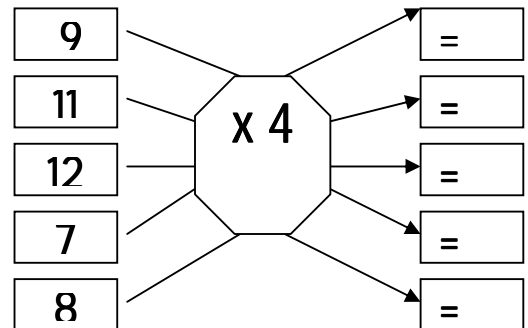
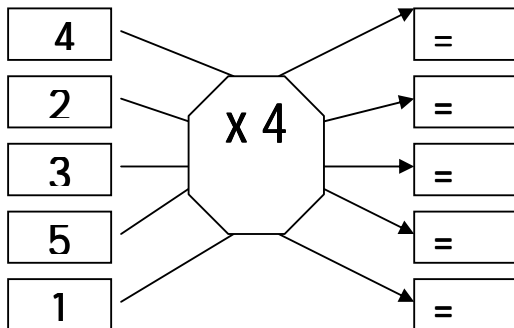
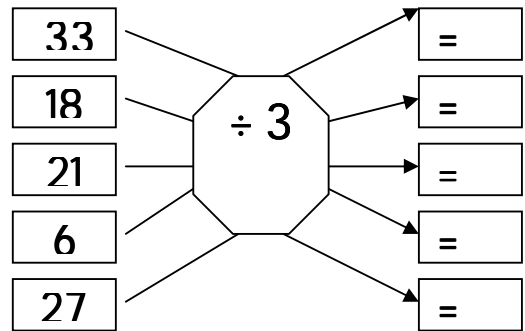
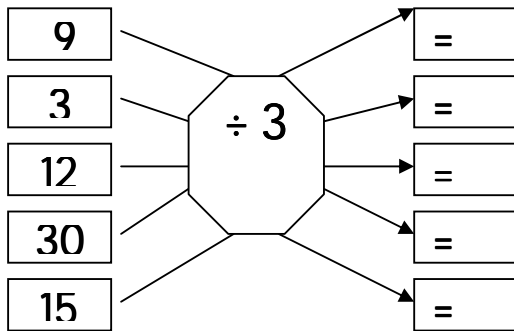
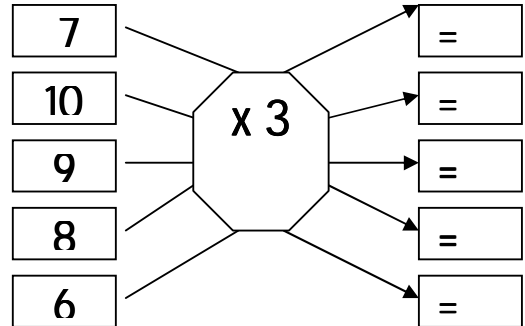
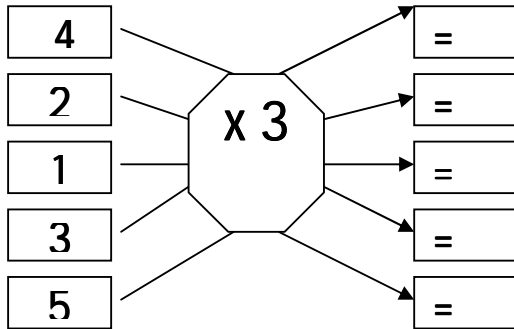
Math Butterflies

Use the numbers on the left with the number in the square and write your answer on the right



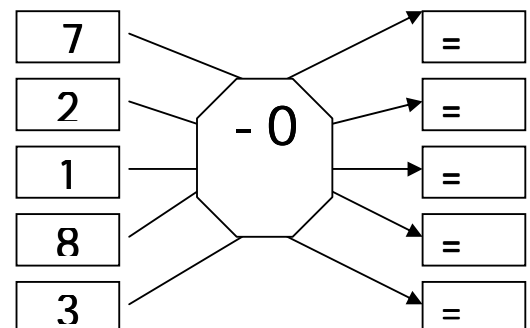
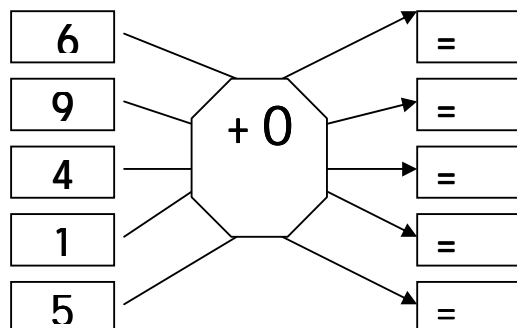
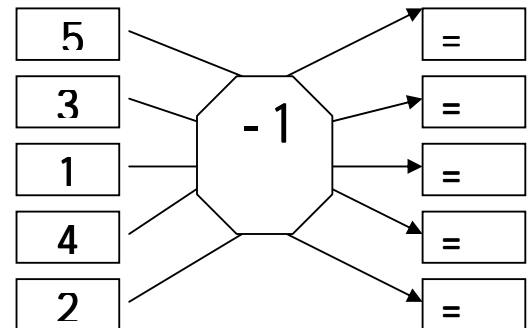
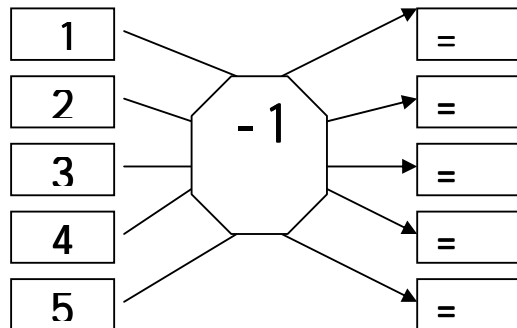
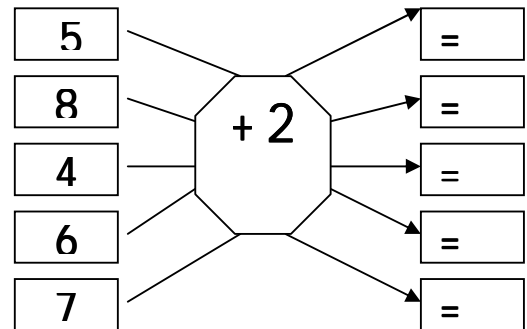
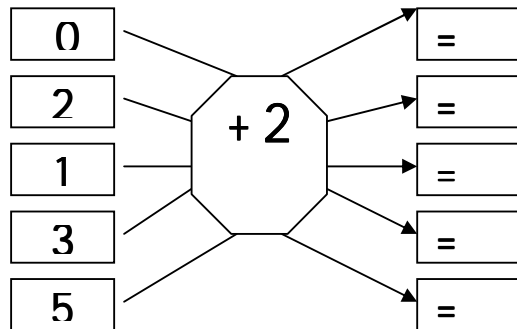
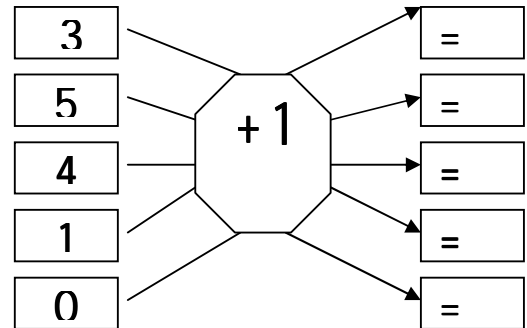
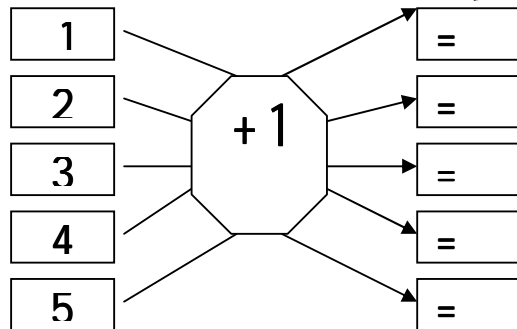
Math Butterflies

Use the numbers on the left with the number in the square and write your answer on the right



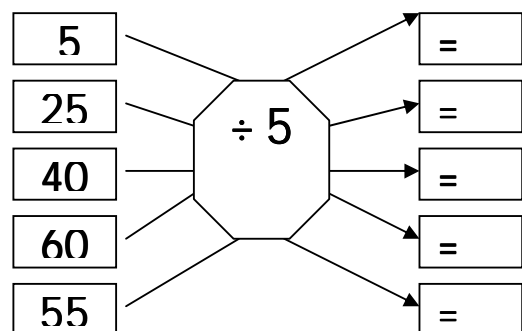
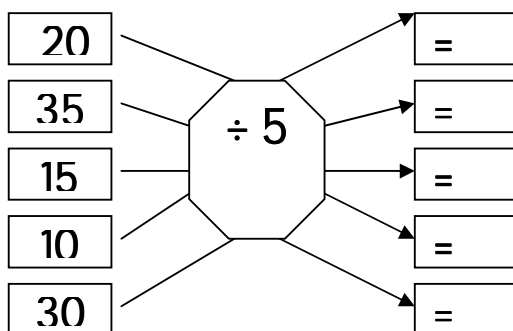
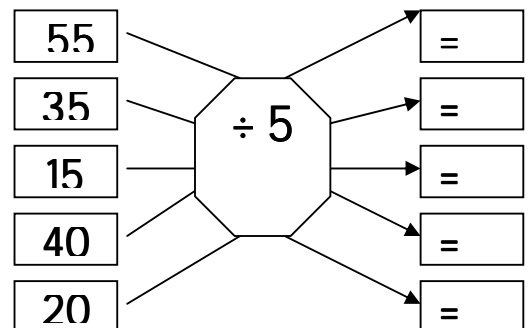
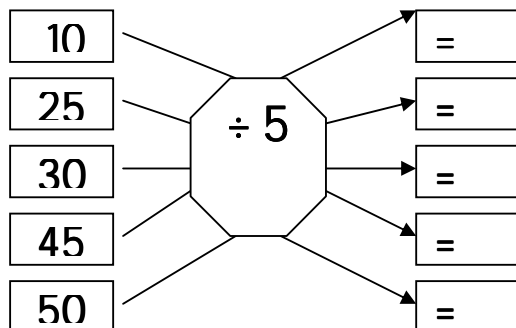
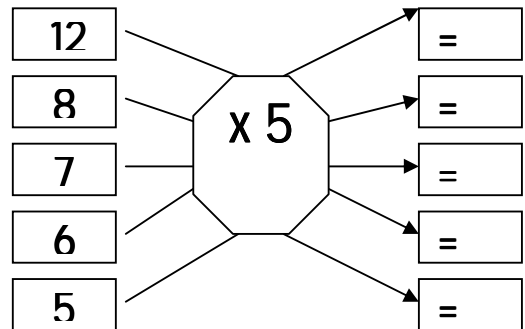
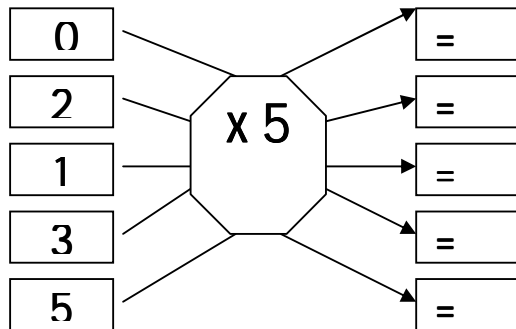
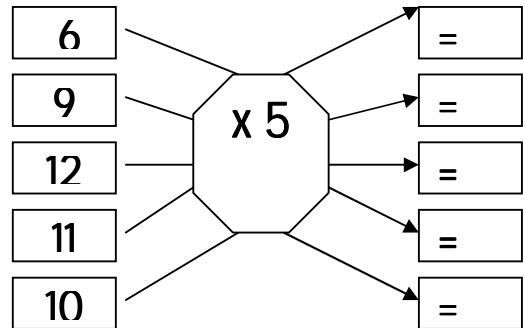
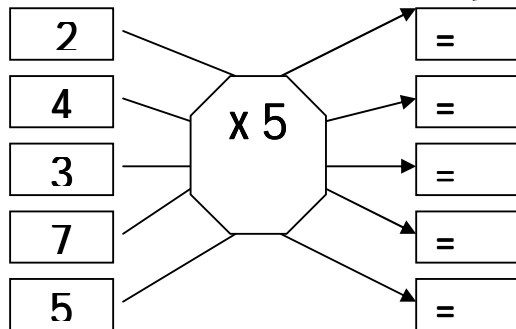
Math Butterflies

Use the numbers on the left with the number in the square and write your answer on the right



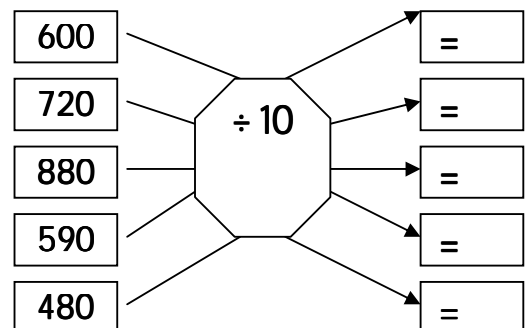
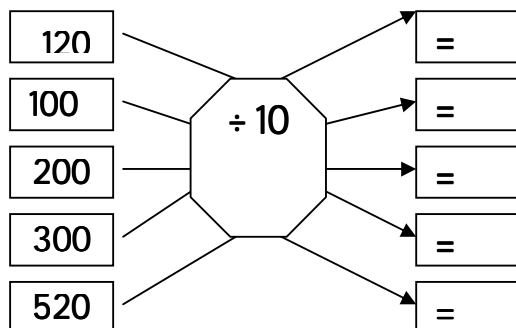
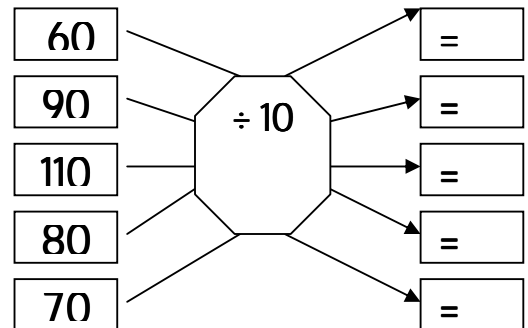
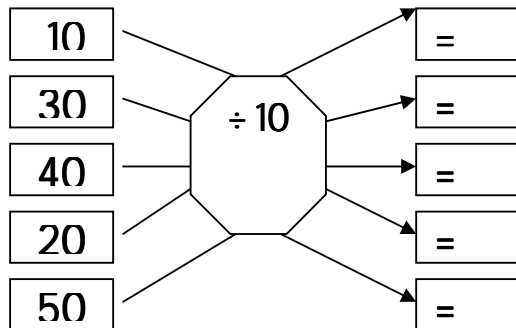
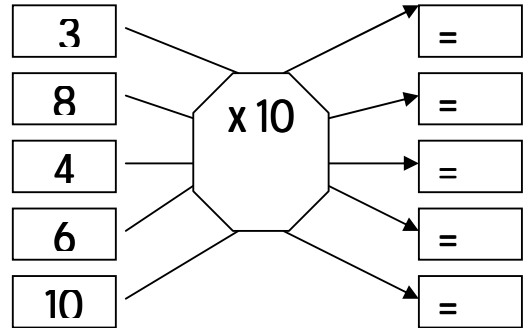
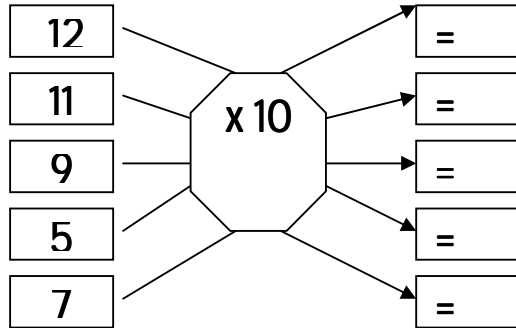
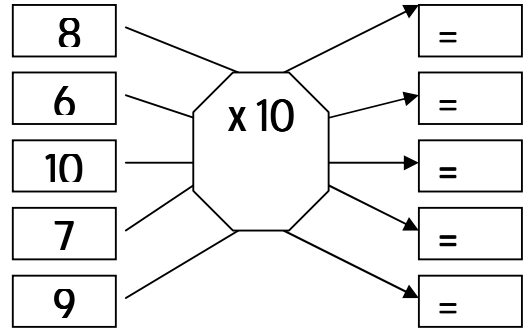
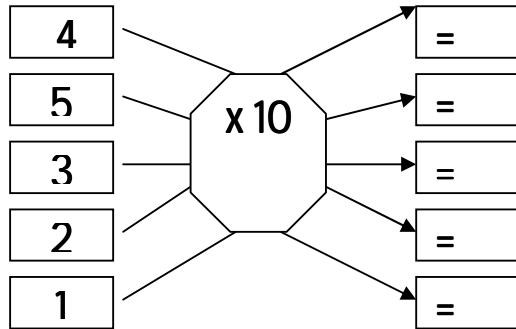
Math Butterflies

Use the numbers on the left with the number in the square and write your answer on the right



Math Butterflies

Use the numbers on the left with the number in the square and write your answer on the right



Math Butterflies

Use the numbers on the left with the number in the square and write your answer on the right

